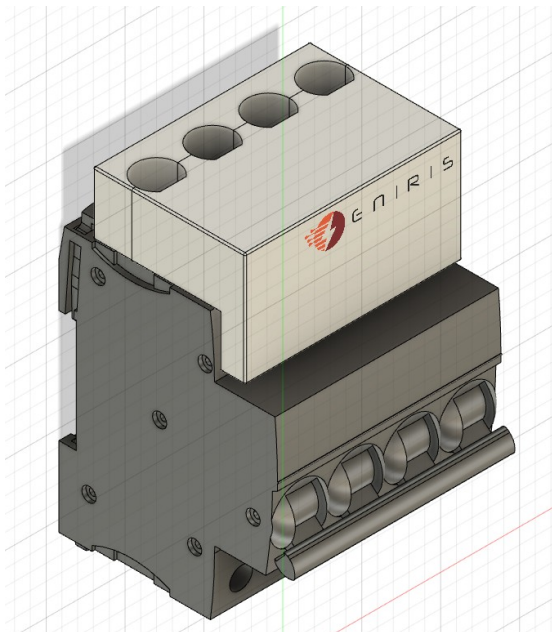


Plug-on energy meter model 400-63-4P datasheet



The energy meters of our “plug-on” line are the ultimate companion for your electricity distribution board. Monitor all subcircuits for consumption and known exactly where your energy is going. Ideal for retrofitting or where space comes at a premium, due to it’s design that plugs on to standard circuit breakers in your panel.

Compared to traditional separate DIN-rail meters, installation time is reduced by a factor 10. Less than three minutes are needed between opening the box and having your meter online.

The energy meters come with direct access to Eniris Insights included, so your data gets translated into meaningful information from the start.

Voltage	110 – 400 V
Frequency	50 – 60 Hz
Nominal current I_n	63 A
Accuracy class	Class 0.5s 0.5% accurate at I_n
Measured quantities	Active power, reactive power, voltage, current, power factor, active energy, reactive energy
Mounting configuration	One 4-pole modular circuit breaker of a 3-phase circuit or; Two adjacent 2-pole modular circuit breakers of two 1-phase circuits
Connectivity	WiFi
Supported communication protocols	MQTT, Modbus TCP
Max. short-circuit withstand rating	35 kA
Max. impulse withstand rating	6 kV according to IEC 61439-1
Phase recognition	Yes. Identifies the phases and synchronizes information with other Eniris plug-on meters in the same switchboard.
Supported circuit breakers	All standard two pole and four pole 18 mm miniature circuit breakers according to IEC 60947-2 and IEC 60898-1